

FB51

Discover the pleasure of performance



- Broad range of control options
- LED work light attachment for better visibility and safety
- Strong and lightweight grapples

Crane FB51 – for small tractors and trailers.

FTG Källefäll crane FB51 provides a total reach up to 5,1m and a 510kg lifting capacity at the max reach.

Crane FB51 is equipped with a slewing motor with 2 or 4 slewing cylinders and has a 3 ton rotator, hydraulic hose connection to the rotator, rotator link without pending brake and grapple FB160.

Rotator link as a standard comes without brake but can be upgraded to a braked link on demand. The crane has a lifting moment of 32 kNm (gross) and a slewing torque of 8,5 kNm.

There are numerous valve packages and accessories to choose from.

Crane designed for versatile work applications:

- Forest trailers
- Chippers
- Log splitters
- Attachment to the tractor

FB51 combined with FTG Källefäll forest trailers offers high reliability and efficiency. Demand for maintenance is quite low for high-quality components and tested designs.

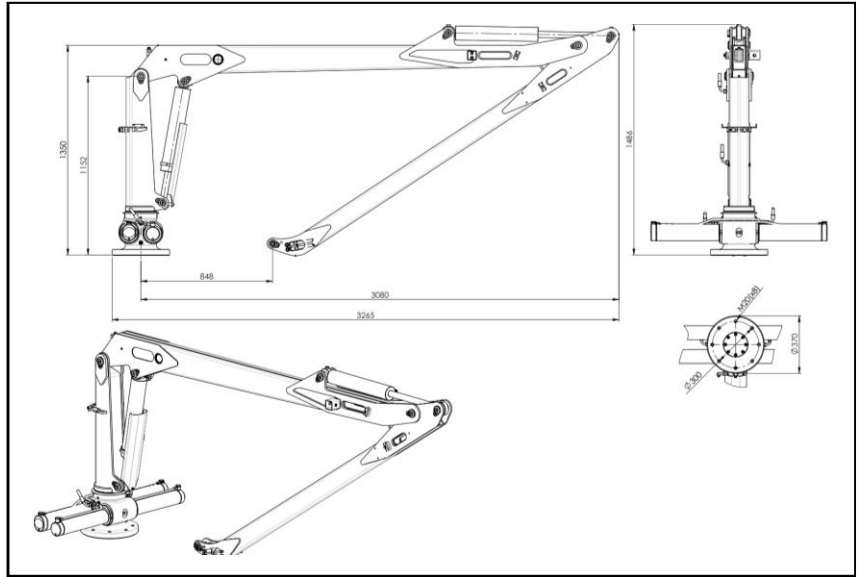
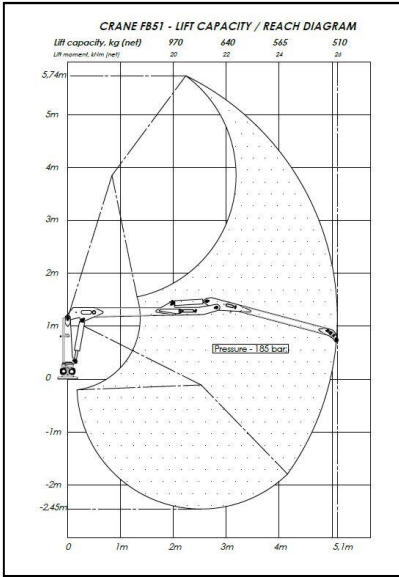
Suitable for trailers:

- [FB40D](#)
- [FB60](#)
- [FB70](#)

Technical characteristics Crane (standard equipment)

<i>Parameter</i>	<i>FB51</i>	<i>Parameter</i>	<i>FB51</i>
Reach, m	5,1	Slewing angle, °	360
Linkage system	No	Total weight, kg	555
Telescope extension, m	-	Oil flow, l/min	20-30
Lifting moment (gross), kNm	32	Rotator, type	3 t
Lifting moment (Net), kNm	24 (4 m)	Rotator link, type	Without pending brake
Lifting capacity at max reach, kg	510	Grapple, type	FB160
Lifting capacity at 4m, kg	565	Valve block, type	Mechanical (2-Lev. / 3-Coord.)
Slew torque, kNm	8,5	Working pressure, bar	185

Technical drawings



FB51 accessories

Control system

Mechanical
FRV60/8-E, 2 x EL.
On/Off



Mechanical 2-Lever,
Lightweight, 4 x EL.
On/Off



Prehydraulic
FRV60EO with
Joysticks



Full electric with
with ERGO-
DigiStick® Joysticks



Radio control
Scanreco®



Winch

FB800 with
remote control



1410 KPL with
remote control



3-P attachment

A-frame type,
CAT. I



Independent hydr.
system for 3-P
attachment



Block valve for
telescopic
support legs



Greifer

Brush grapple
FB160S (0.16 m²)



Round bale grapple
attachment for
FB160



Grapple FB190
(0.19 m²)



Brush grapple
FB190S (0.19 m²)



Add-on bucket
for grapple



Other accessories

Protection plate
for lifting cylinder



LED work light on
crane boom



LED work light on
crane pillar



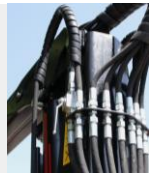
Chainsaw holder



Connection of hydr.
hoses on pillar



Shut-off valve for
lifting cylinder



Supply
pressure
monometer



Valve block
cover



FTG BALTIC UAB

Dūmų st. 3 K20
LT-11119 Vilnius, Lithuania
+370 5 246 23 18
sales.vilnius@ftgforest.com

By combining our Swedish heritage with constant innovation based on the needs of customers, we design forest trailers and cranes that impress by their consistently pleasant performance.

FTG Källefäll forest trailers can pass through challenging terrains and are robustly built to withstand tough conditions in the forest. Trailers' capacity varies from 4 to 12 tones. Our trailers can be supplemented with telescopic cranes, ranging from 4,2 to 9,4 meters reach. Källefäll cranes are strong, fast, and easy to operate. We also offer a wide range of timber grapples and other accessories to meet different needs.

For more information: www.ftgforest.com